

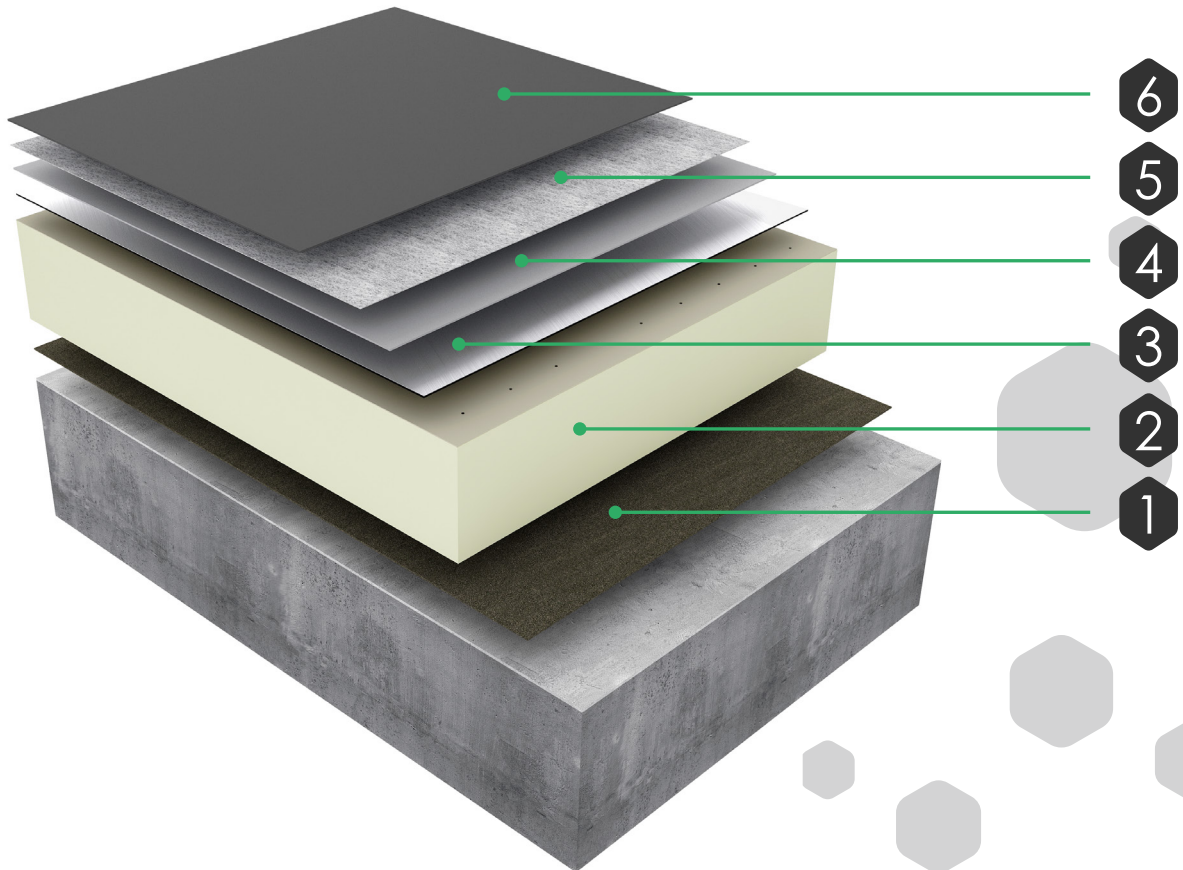
Caltech FCP High Performance Roofing Systems comprise a rapid curing two-component, cold-applied, fully reinforced hybrid polymer resin, insulation boards and air and vapour control layers (AVCL). The application with embedded glass fibre matting forms a seamless, durable membrane that is rainproof in just 30 minutes. Caltech FCP has a proven track record and is subject to the highest levels of certification and testing. The system is fully adaptable to meet the individual requirements of every project, including a wide range of colours and optional finishes, for use across all building sectors in both refurbishment and new-build roofing and waterproofing projects.

✓ Where to Specify

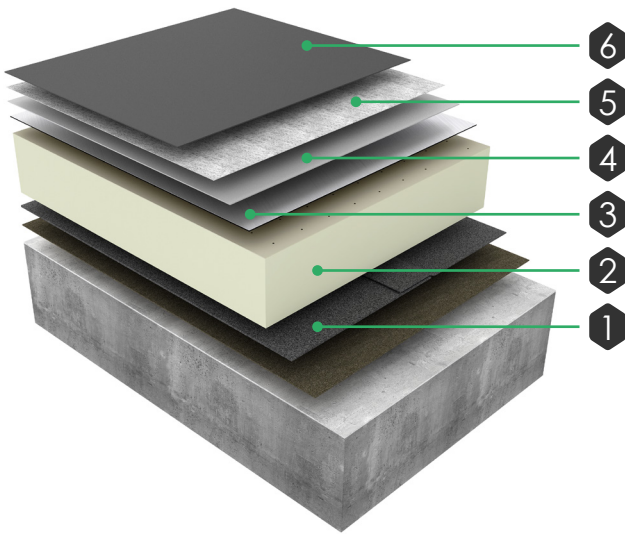
- New Build
- Refurbishment
- Cold roofs
- Warm roofs (all roofing insulations)
- Overlay of existing waterproofing systems
- Inverted roofs
- Buried membrane applications incl. hard/green roofs
- Balconies
- Compatible with all conventional roofing substrates

✓ Durability

BBA Certified - When installed on stable substrates and regularly maintained, the system will have a life in excess of 25 years.



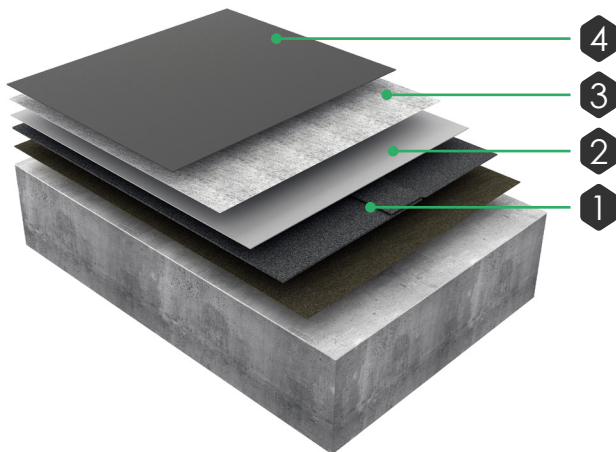
| Typical Assembly | |
|--|---|
| 6 | Caltech FCP top coat * |
| 5 | Caltech FCP 225 GSM (glass fibre reinforcing matt) |
| 4 | Caltech FCP embedment coat * |
| 3 | Caltech Preparation Layer |
| | Euroroof SA Primer |
| 2 | PIR Insulation (type GTF) or Class A fire rated alternative |
| | PU Insulation Adhesive |
| 1 | Air & Vapour Control Layer, type according to the substrate |
| | Alumasc Primer, type according to AVCL |
| * Coverage rates vary according to warranty term and/or substrate condition. | |



Insulated Overlay of Existing Waterproofing

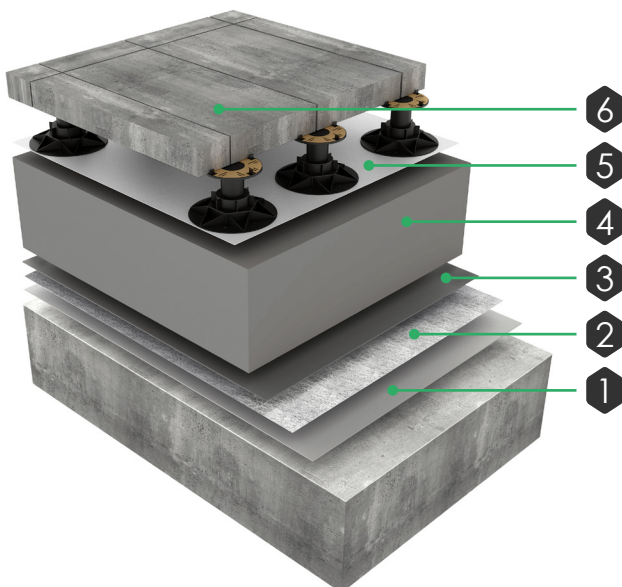
| | |
|---|---|
| 6 | Caltech FCP top coat |
| 5 | Caltech FCP 225 GSM (glass fibre reinforcing matt) |
| 4 | Caltech FCP embedment coat |
| 3 | Caltech Preparation Layer Eurorof SA Primer |
| 2 | PIR Insulation (type GTF) or Class A fire rated alternative PU Insulation Adhesive |
| 1 | Existing waterproofing |

NB. Air & Vapour Control Layer may be required, subject to condition of the existing waterproofing.



Cold Overlay to Existing Waterproofing

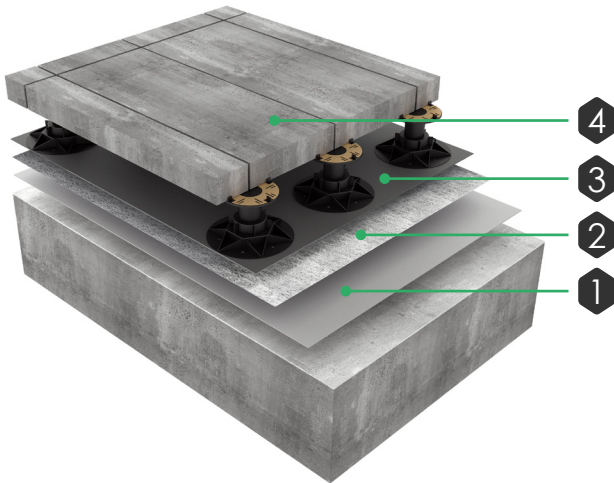
| | |
|---|--|
| 4 | Caltech FCP top coat |
| 3 | Caltech FCP 225 GSM (glass fibre reinforcing matt) |
| 2 | Caltech FCP embedment coat |
| 1 | Caltech FCP Universal Primer Existing waterproofing |



Inverted Roof

| | |
|---|--|
| 6 | Surface finishes of choice |
| 5 | LO-k Water Flow Reducing Layer (WFRL) |
| 4 | XPS Insulation or Class A fire rated alternative |
| 3 | Caltech FCP top coat |
| 2 | Caltech FCP 225 GSM (glass fibre reinforcing matt) |
| 1 | Caltech FCP embedment coat Caltech FCP Universal Primer |

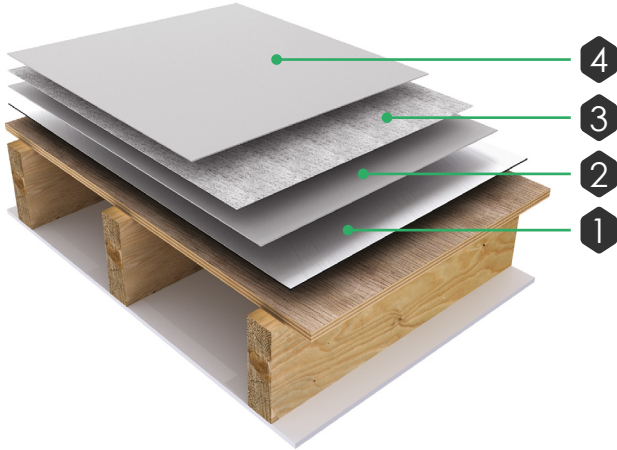
Cold/Buried Application with Finishes



| | |
|---|--|
| 4 | Surface finishes of choice |
| 3 | Caltech FCP top coat |
| 2 | Caltech FCP 225 GSM (glass fibre reinforcing matt) |
| 1 | Caltech FCP embedment coat |
| | Caltech FCP Universal Primer |

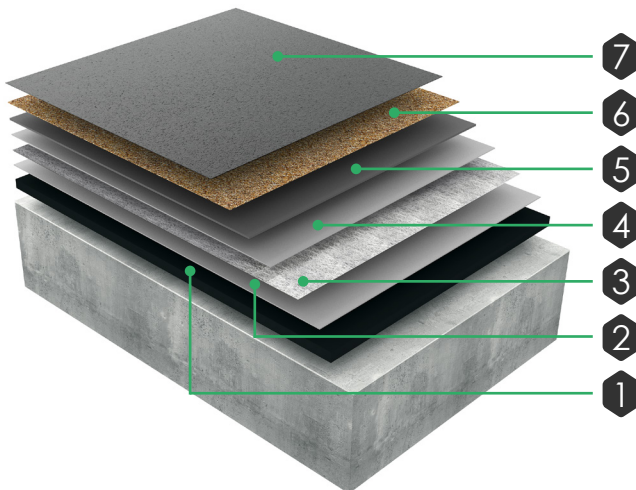
NB. Additional protection measures may be required subject to overlying surface finishes. Consult with Alumasc technical services where applicable.

Cold Application to Plywood



| | |
|---|--|
| 4 | Caltech FCP top coat |
| 3 | Caltech FCP 225 GSM (glass fibre reinforcing matt) |
| 2 | Caltech FCP embedment coat |
| 1 | Caltech Preparation Layer |
| | Euroroof SA Primer |

Balcony System – Cold



| | |
|---|--|
| 7 | Caltech FCP Finish Coat |
| 6 | Caltech Quartz mineral broadcasted into wet coat |
| 5 | Caltech FCP HD coat (additional FCP coat) |
| 4 | Caltech FCP top coat |
| 3 | Caltech FCP 225 GSM (glass fibre reinforcing matt) |
| 2 | Caltech FCP embedment coat |
| | Primer, type according to the substrate |
| 1 | Existing waterproofing / Substrate |

Approvals

- BBA Certificate No. 22/5988
- Fire classification of **B_{roof}(t4)** in accordance with BS EN 13501-5

Warranties

Alumasc offers a comprehensive range of single-source warranty options for up to 25 years. Installed exclusively by Registered Contractors and underpinned by Alumasc's extensive project support service, Alumasc warranties cover product, workmanship, and design.

Technical Support

Alumasc Technical Services can advise on all aspects of product selection, specification and integration of Alumasc systems into any building design.