

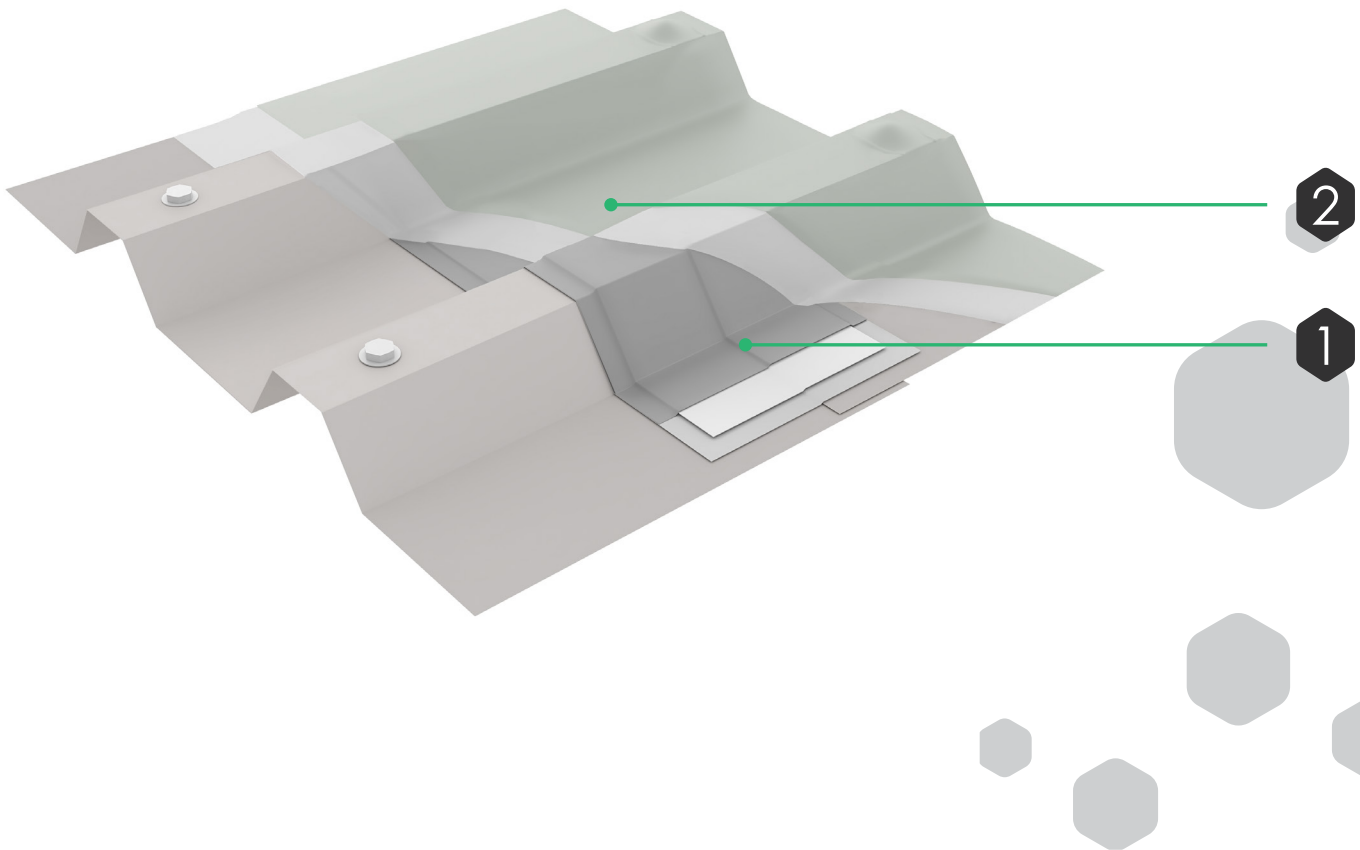
Caltech METcoat High Performance Roofing Systems comprise a two component, cold-applied, moisture-triggered modified acrylic/urethane based resin specifically developed for the refurbishment of mechanically sound existing pitched roofs and cut edge corrosion. Applied as a liquid coat to form a seamless durable membrane with up to 20 years of waterproof protection, depending on the system specified. Available in an extensive range of colours offering any RAL/BS/NCS shade.

## ✓ Where to Specify

- Refurbishment
- Cold roofs
- Overlay of existing pitched roofs
- Compatible with all conventional metal profiled materials

## ✓ Durability

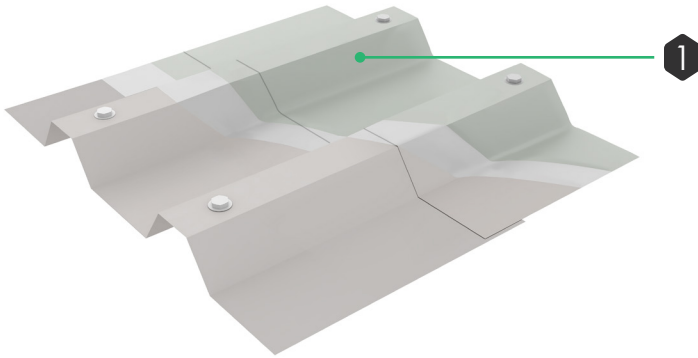
When installed on stable substrates the system will have a life of up to 20 years, subject to specification.



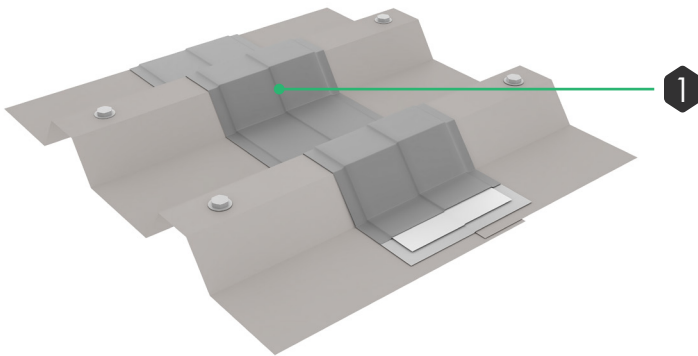
Full Waterproofing System - 15 Year System	
2	Two coats of Caltech METcoat @ 10m <sup>2</sup> /l per coat
1	Caltech METedge (reinforced side & end laps)
	Caltech METprime @ 15m <sup>2</sup> /l per coat

Full Waterproofing System - 20 Year System	
2	Three coats of Caltech METcoat @ 10m <sup>2</sup> /l per coat
1	Caltech METedge (reinforced side & end laps)
	Caltech METprime @ 15m <sup>2</sup> /l per coat

## Basic Aesthetics Only



1	Two coats of Caltech METcoat @ 10m <sup>2</sup> /l per coat
	Caltech METprime, subject to substrate type



## METedge - Cut Edge Corrosion

1	Caltech METedge (reinforced side & end laps)
	Caltech METprime @ 15m <sup>2</sup> /l per coat

## Warranties

Alumasc offers a comprehensive range of single-source warranty options for up to 20 years. Installed exclusively by Registered Contractors and underpinned by Alumasc's extensive project support service, Alumasc warranties cover product, workmanship, and design.

## Technical Support

Alumasc Technical Services can advise on all aspects of product selection, specification and integration of Alumasc systems into any building design.