

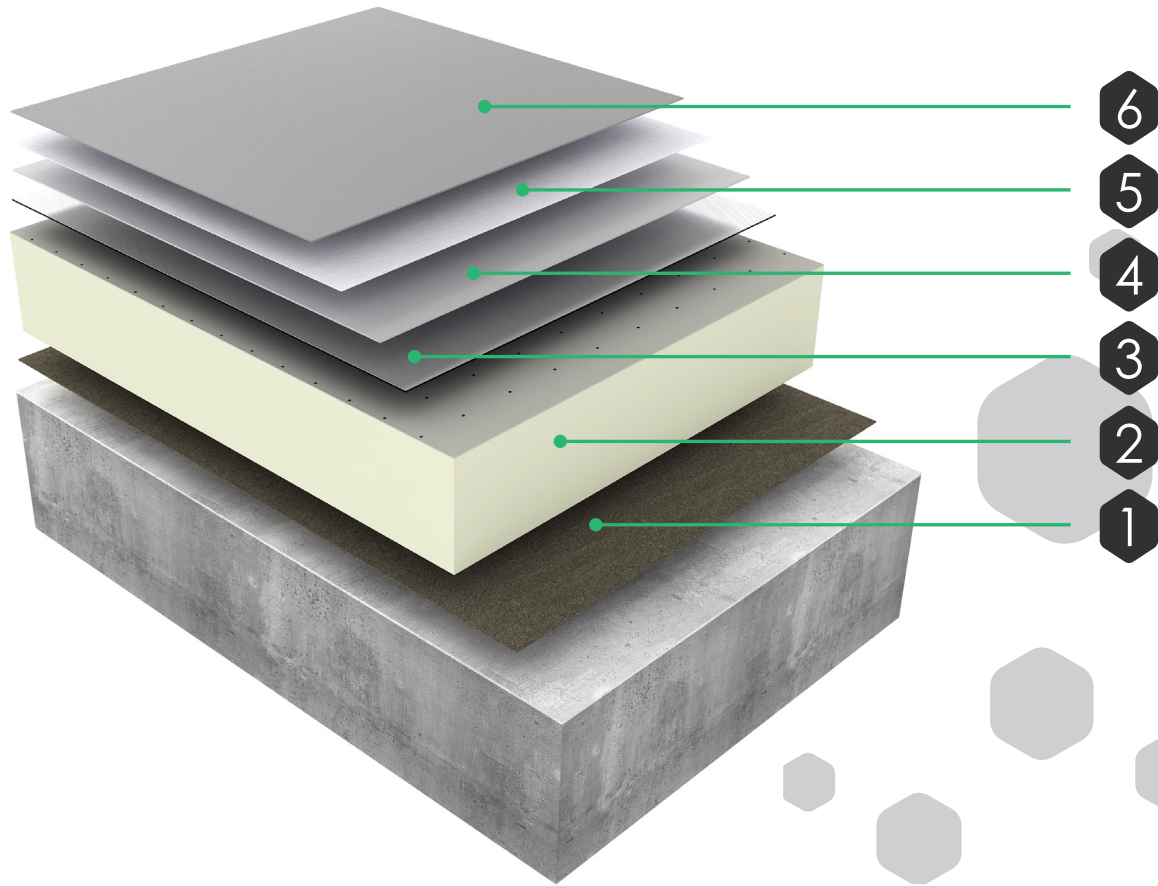
Caltech QC High Performance Roofing Systems comprise a rapid curing two-component, cold-applied, fully reinforced PMMA waterproofing solution, insulation boards and air and vapour control layers (AVCL). Caltech QC has a proven track record of more than 20 years and is subject to the highest levels of certification and testing. The wet-on-wet application with embedded polyester fleece forms a seamless, durable membrane that is rainproof in just 30 minutes. The system is fully adaptable to meet the individual requirements of every project, including a wide range of colours and optional finishes, for use across all building sectors in both refurbishment and new-build roofing and waterproofing projects.

✓ Where to Specify

- New Build
- Refurbishment
- Cold roofs
- Warm roofs (all roofing insulations)
- Overlay of existing waterproofing systems
- Inverted roofs
- Buried membrane applications incl. hard/green roofs
- Submerged applications
- Compatible with all conventional roofing substrates

✓ Durability

BBA Certified - When installed on stable substrates and regularly maintained, the system will have a life in excess of 25 years.



Typical Assembly	
6	Caltech QC @1.0kg/m ²
5	QC RF110 (polyester reinforcing fleece)
4	Caltech QC embedment coat @2.0kg/m ²
3	Caltech Preparation Layer
	Euroroof SA Primer
2	PIR Insulation (type GTF) or Class A fire rated alternative
	PU Insulation Adhesive
1	Air & Vapour Control Layer, type according to the substrate
	Alumasc Primer, type according to AVCL

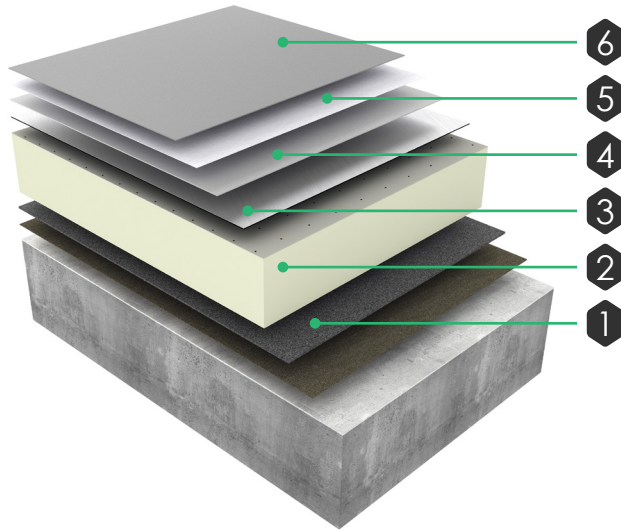
CALTECH QC ROOFING

Other Common System Types



ALUMASC
ROOFING

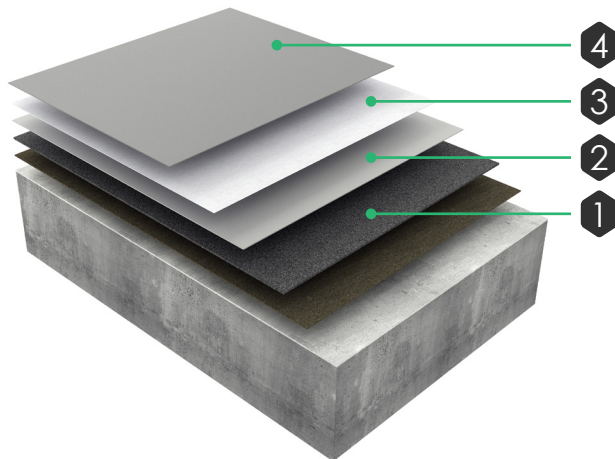
Insulated Overlay of Existing Waterproofing



6	Caltech QC @1.0kg/m ²
5	QC RF110 (polyester reinforcing fleece)
4	Catech QC embedment coat @2.0kg/m ²
3	Caltech Preparation Layer
	Eurorof SA Primer
2	PIR Insulation (type GTF) or Class A fire rated alternative
	PU Insulation Adhesive
1	Existing waterproofing

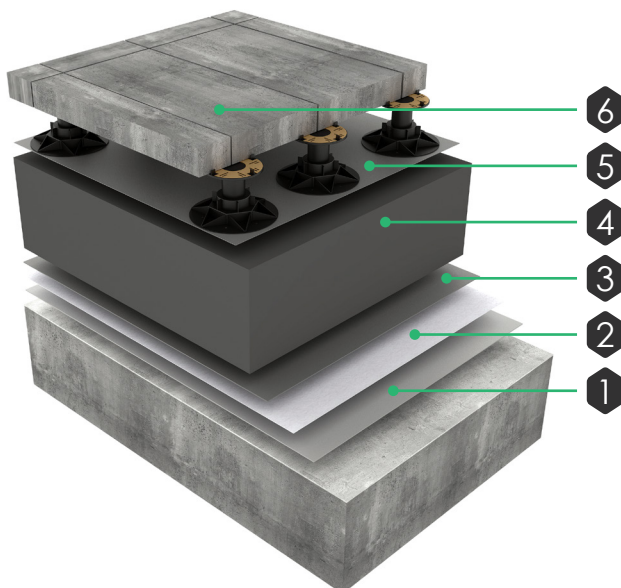
NB. Air & Vapour Control Layer may be required, subject to condition of the existing waterproofing.

Cold Overlay to Existing Waterproofing



4	Caltech QC @1.0kg/m ²
3	QC RF110 (polyester reinforcing fleece)
2	Catech QC embedment coat @2.0kg/m ²
	Primer, type according to the substrate
1	Existing waterproofing

Inverted Roof



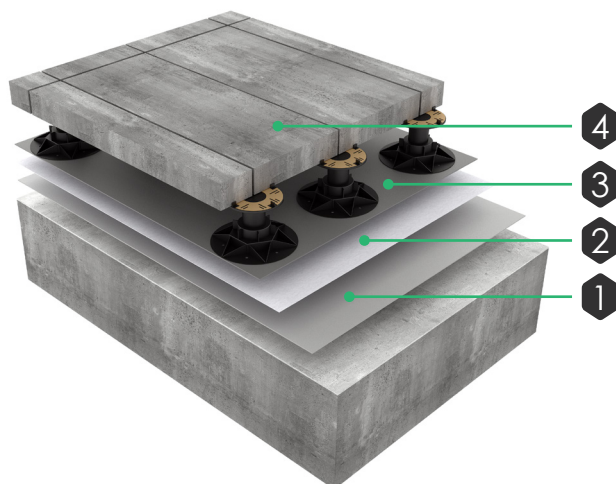
6	Surface finishes of choice
5	LO-k Water Flow Reducing Layer (WFRL)
4	XPS Insulation or Class A fire rated alternative
3	Caltech QC @1.0kg/m ²
2	QC RF110 (polyester reinforcing fleece)
1	Catech QC embedment coat @2.0kg/m ²
	Primer, type according to the substrate

CALTECH QC ROOFING

Other Common System Types



ALUMASC
ROOFING



Cold/Buried Application with Finishes

4	Surface finishes of choice
3	Caltech QC @1.0kg/m ²
2	QC RF110 (polyester reinforcing fleece)
1	Caltech QC embedment coat @2.0kg/m ²
	Primer, type according to the substrate

NB. Subject to surface finish Caltech HD Coat @ 1.5kg/m² (+ finish) or minimum 300g/m² geotextile separating layer may be required.



Approvals

- BBA Certificate No. 17/5392
- Fire classification of **B_{ROOF}(t4)** in accordance with BS EN 13501-5



Warranties

Alumasc offers a comprehensive range of single-source warranty options for up to 20 years. Installed exclusively by Registered Contractors and underpinned by Alumasc's extensive project support service, Alumasc warranties cover product, workmanship, and design.



Technical Support

Alumasc Technical Services can advise on all aspects of product selection, specification and integration of Alumasc systems into any building design.



+44 (0)1744 648400



technical@alumascroofing.com



www.alumascroofing.com

Ref: SSDS-CAL003 Issued:01/07/21